

SPECIFICATION INFORMATION

V-EMB Combainers
and Sleeve-pack

We can provide containers that are space efficient and flexible, protect your goods and are part of an intelligent packaging system

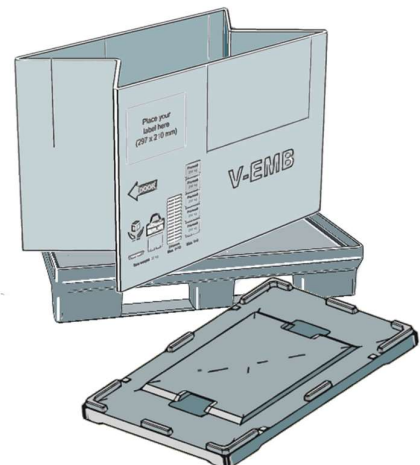
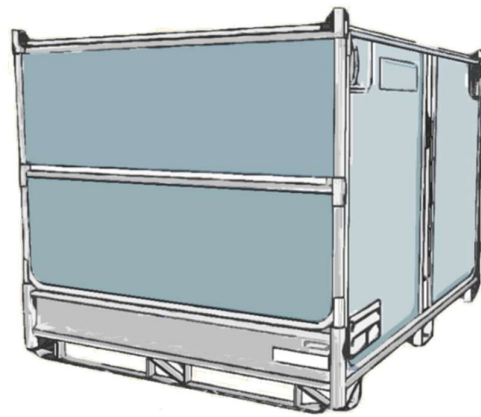
Features

V-EMB Sleeve-pack and Combainers offer a series of products that have opening or removable sides to assist in easy access to products. They are easy to assemble, have good collapsible ratio, provide ergonomic handling and are stackable when filled and loaded. Available through Volvo global packaging management system.

V-EMB 400, 419, 468 are designed for large parts within manufacturing industry. V-EMB 141 is a lightweight alternative to the L Size Modular wooden pallet boxes. V-EMB 465 is a Euro size Anti- static sleeve pack for electrical components.

Benefits

- Reduced transport costs, eliminated package waste and less environmental impact
- Your products and components arrive in perfect condition thanks to excellent protection properties
- Maximizes transport and storage space utilization when empty
- Easy and ergonomic



Specifications on next page

Volvo Group Packaging improves your business by efficient and sustainable logistics solutions, thereby reducing costs, disruption and environmental impact. We provide a professional one-stop shop for all automotive logistics needs, meaning you can focus on your core business.

www.volvogroup.com

V-EMB Combitainers and Sleeve-pack

V O L V O

SPECIFICATION INFORMATION

	COMBITAINERS			SLEEVE PACK		
ITEM / DESCRIPTION	EMB 419 	EMB 400 	EMB 814 	EMB 141 	EMB465  ESD 	EMB 468 
Lid	EMB 236*	Integrated	EMB 670*	EMB 143	EMB 466	EMB 469
Sides	EMB 419*	Integrated	EMB 814*	EMB 142	EMB 464	EMB 467
Base	EMB 5*	Integrated	EMB 836*	EMB 141	EMB 465	EMB 468
Kit	N/Ap	N/Ap	N/Ap	EMB 20141	EMB 20465	EMB 20468
Outer dimensions (mm)	1630 x 1220 x 1382	1640 x 1235 x 1366	2270 x 1450 x 1176	1225 x 820 x 940	1200 x 800 x 940	2400 x 820 x 835
Inner dimensions (mm)	1575 x 1170 x 1178	1574 x 1169 x 1175	2154 x 1400 x 978	1169 x 765 x 764	1160 x 760 x 730	2345 x 758 x 640
Dimensions – Flat packed single	N/Ap	1640 x 1235 x 312	N/Ap	1225 x 820 x 230 (+1=205)	1200 x 800 x 230 (+1=210)	2400 x 820 x 235 (+1=210)
Dimensions – Empty Bundle	1680 x 1220 x 1460	1640 x 1235 x 312	2270 x 1450 x 1250	1225 x 820 x 845 (+1=820)	1200 x 800 x 230 (+1=210)	2400 x 820 x 235 (+1=210)
Inner volume (m3)	2.17	2.16	2.95	0.68	0.64	1.14
Flat pack volume (m3)	2.99 (bundle of sides)	0.63	4.11 (bundle of sides)	0.23	0.23	0.46
MATERIAL						
Lid	Plywood	Integrated	Plywood	Plastic	Plastic (PP)	Plastic (PE)
Sides	Metal & Plastic (PP)	Metal & Plastic (PP)	Metal & Plastic (PP)	Plastic	Plastic (PP)	Plastic (PP)
Base	Wood	Metal / Wood	Metal / Plywood	Plastic	Plastic (PP)	Plastic / Steel (PE+FE)
Weight (kg)	107.72 kg	117.9 kg	164 kg	5.6 + 9.55 +14.9 =30 kg	6.2 + 10.5 +19.15=35.9 kg	75.2 kg
Bundle Weight	545 kg	123 kg	1021 kg	128 kg	19.2 kg	75.2 kg
Temperature range	-30 - +40°C	-30 - +40°C	-30 - +40°C	-20 - +40°C	-20 - +40°C	-20 - +50°C
Pieces in bundle	9 (sets)	1	10 (sets)	4	1	1
STACKING CAPACITY outspread load (kg)						
Unit Load capacity	500 kg	500 kg	500 kg	250 kg	250 kg	270 kg
Total Load capacity (on bottom unit)	1000 kg	2000kg Filled /2375kg Empty	1000 kg	1150 kg	1000 kg	800 kg
Static filled	Max 3 in height	Max 4 in height	Max 3 in height	Max 5 in height	Max 5 in height	Max 3 in height
Dynamic filled	Max 2 in height	Max 2 in height	Max 2 in height	Max 3 in height	Max 3 in height	Max 3 in height
Empty unit load (bundles)	Max 3 in height	Max 20 in height	Max 3 in height	Max 4 in height (16 pieces)	Max 28 in height	Max 28 in height
Less volume when empty	87 %	77 %	73 %	77 %	74 %	77 %
Storage	Ok Outside	Undercover	OK Outside	OK Outside	Undercover	Ok Outside

1) *) Modular – Sides, Lids and Bases to be ordered separately